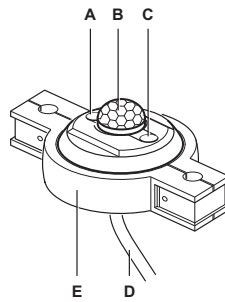
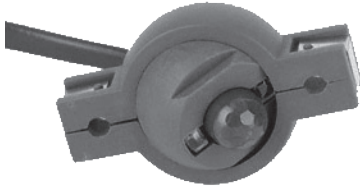


## LS/PD MULTI 3 B



### Light and motion sensor Fitting instructions

**Function and application**

The LS/PD MULTI 3 B sensor detects the presence of people and measures the intensity of ambient light.

The sensor is installed in lamps.

**Construction**

The sensor is made up of the following components:

- LED (A)
- Motion sensor (B)
- Light sensor (C)
- Connection cable (D)
- Housing (E)

**Installation**
**Safety instructions**

The sensor must only be installed and put into operation by a qualified electrician. The applicable safety regulations and accident prevention regulations must be observed.


**WARNING!**

Exposed, live cables or damaged housing.

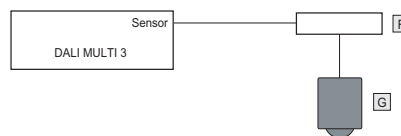
Danger of electric shock!

- Only work on the sensor when it is de-energized.

**CAUTION!**

Destruction of the sensor and other devices through incorrect mounting!

- Only use OSRAM control units of the following types: DALI MULTI 3/ DIM MULTI 3, DALI MULTITECO/ MULTITECO, DALI PROFESSIONAL Sensor Coupler.
- Do not connect control line with external voltage.
- Note the maximum total line length.
- Do not route the sensor line together with the power or lamp line.


**Connecting the sensor**

Connect the sensor using the supplied cable or a commercially available 4-pin cable. If the cable is shortened or lengthened, ensure that the wiring is correct.

Sensors can be connected in parallel via a Y-branch. For the maximum number of sensors: see the separate control unit manual.

F Y-branch

G Sensor

II 2009

LSPD\_Multi3-B\_ma0902en\_we1.01.indd

**OSRAM GmbH**  
Kunden Service Center  
Customer-Service-Center (CSC)

Steinerne Furt 62  
86167 Augsburg  
Germany

Tel : +49 (0) 1803 677 - 200  
(kostenpflichtig / charges apply)  
Fax.: +49 (0) 1803 677 - 202

[www.osram.com](http://www.osram.com)

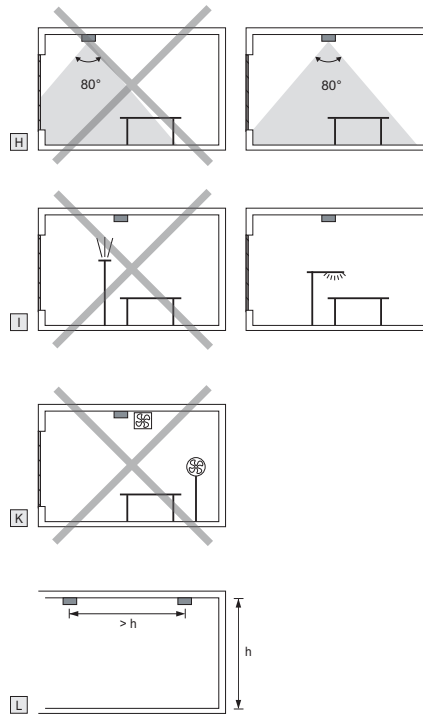
[www.osram.de](http://www.osram.de)



4050300803081

Continued on the back page!

## Fitting (cont.)



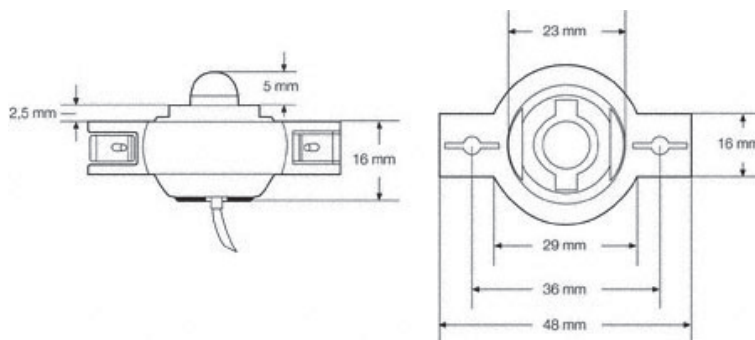
## Selecting the installation location

- H Surveillance cone: entire workplace; not on window surfaces.
- I Avoid exposure to direct light.
- K Avoid drafts (e.g. from ventilators or fans).
- L Installation distance = min. installation height

## Adjusting the detection area

Tilt the motion sensor up to 30° in the required direction.

## Appendix



## Technical data

Combined control and supply connection	4-pin modular connection (4p4c) 1: Supply voltage 2: Light measurement value 3: Motion signal 4: Signal ground Length 2.1 m
Maximum total length of signal line (incl. all connections to the control units)	See control unit
Insulation	Basic insulation as per IEC 664
Dimensions (L x W x H)	48 x 29 x 24.5 mm
Light sensor detection area	20 - 600 lx (measured at sensor), opening angle approx. 90°
Motion detection area	Conical, opening angle approx. 80°
Installation height	2 - 4 m

The CE requirements to EN 60928 are fulfilled.  
The EMC requirements to EN 61547 are fulfilled.



Conformity with the relevant EU directives is confirmed by the CE symbol.